

Duster 2000 Bodyshop

Mobile Air Filtration System

Engineered for

Small Area Repair Technique
(SMART)

OPERATIONS & MAINTENANCE MANUAL



IMPORTANT
OPEN & READ FIRST

TABLE OF CONTENTS

	PAGE
Product Overview & Guarantee	3
Set up	4
Digital Filter Monitor	4
Safety Instructions	5
Specifications	5
How it Works	6
Recommended Set Up Configurations	7
Parts Diagram	8
Parts List	8
When and How to Clean the Filters	9
Performance & Painting Tips	10
Trouble Shooting	11
Won't Start	
Digital Filter Gauge	
Filter Problems	
Warranty	12
Duster 2000 Bodyshop Filters	13
Filter Order Form	14

CONGRATULATIONS!

Thank you for purchasing a *Duster 2000 Bodyshop* – Mobile Air Filtration System for Small Area Repair Technique (SMART). By following the instructions provided you will have years of trouble free use. If at any time you experience difficulty with your machine please call the factory direct (800) 661-6211 and speak with customer service.

Product Overview

The *Duster 2000 Bodyshop* – Mobile Air Filtration System was developed to provide solutions to poor air quality issues associated with mobile detail shops in the field. After years of research and development ICA has engineered a machine that is lightweight, economical, efficient and affordable to use with mobile detail shop vehicles in the field. It's engineered for safety, designed for use by the scratch & dent repair technician.

The *Duster 2000 Bodyshop* – Mobile Air Filtration System develops over 2,000 cfm with a 1HP, 110 V AC, direct drive, variable speed control motor, 1.0 - 12 Amps. It takes up 22.5" x 20.5" x 57" (Ht.) of space and is lightweight at 101 lbs (45.9 Kg.) easily transportable. Powerful enough to recirculate air in an outside tented set up as well as inside, up to 2,500 square feet. Rated between 0-72 dB it is extremely quiet.

This machine comes assembled, ready to use out of the box with all standard filters for first year's use. Included for limited spot painting are 2-15lb activated carbon filters to adsorb Isocyanates VOCs, toxic fumes and odors. Standard intake filters are cleanable and will last up to six months per set. Intake filters capture airborne particulate down to 5 microns and including Isocyanates released when grinding, sanding or performing limited detail painting.

The front panel of the machine has an LED digital air flow meter to let you know the cfm value of airflow through the machine and give you an indication when to clean the intake filters.

It is certified to CSA standards (UL recognized). These units are also available to CE specification and other international electrical standards.

Guarantee

Your satisfaction is our guarantee. If you're not entirely satisfied with your purchase within the first five (5) days you received it, return it in its original crate to ICA. Your money will be cheerfully refunded less the cost of the freight.

SETTING UP YOUR DUSTER MACHINE

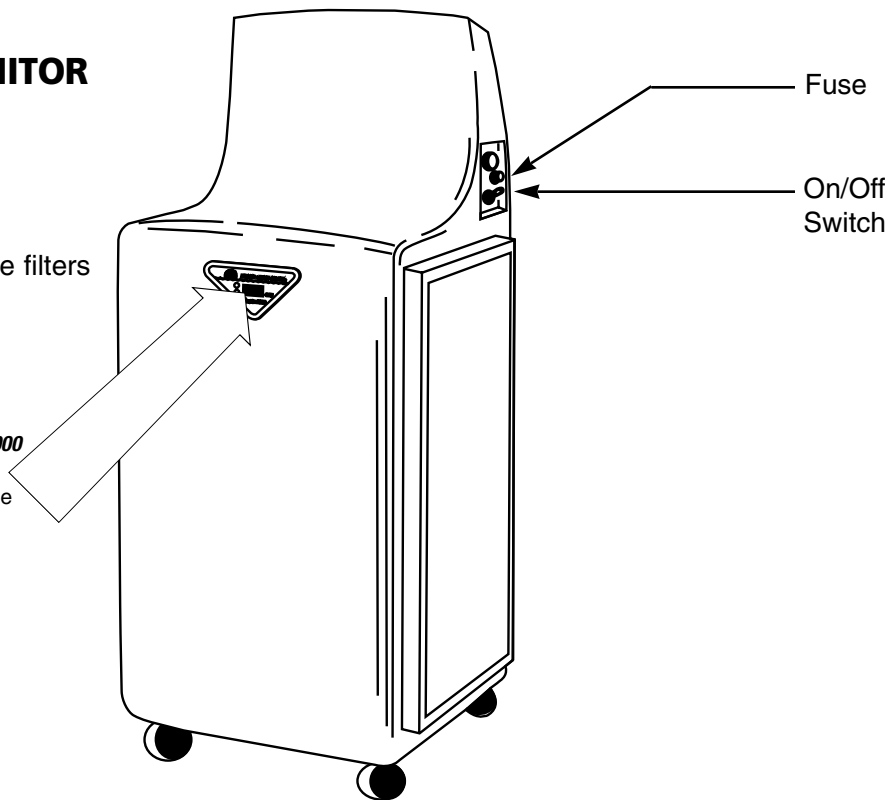
If at anytime you have difficulty setting your machine up, call us and we'll be glad to walk you through the steps. Toll free numbers, Vancouver-(800) 661-6211, or Toronto-(800) 661-8211.

1. Carefully remove the unit from the shipping box by following the instructions on the shipping box. Do not drop the unit.
2. Save the original box and shipping materials.
3. Remove clear plastic protection and save.
4. Uncoil the power cord provided and plug into vehicle 110 V AC power supply.
5. Store all crating and shipping materials back inside the crate.
Do not through out for at least five (5) days.
6. Turn the machine on and you're in business.

DIGITAL FILTER MONITOR

Shows you when to clean the filters

Duster 2000
Digital Air
Flow Gauge



The digital read-out on the front of the machine indicates the airflow volume in cubic feet per minute (CFM).

SAFETY INSTRUCTIONS

The *Duster 2000 Bodyshop* – Mobile Air Filtration System is built of Polyethylene (high impact material) that includes a sealed motor, wiring and controls.

In all cases when working in a confined area, or where ventilation is unlikely to be sufficient to control particulates and solvent vapours, operators must wear proper industry approved respirators while painting or sanding.

Disconnect power from source before servicing, except when cleaning intake filters. Never clean the filters while machine is operating.

IMPORTANT: Use only factory specified filters for best results and to avoid voiding warranty on machine.

SPECIFICATIONS

Filters: Made in the USA and Canada

Dust/Spray filter pads – Qty 2

16" x 36" x 2" (40.9 cm x 91.5 cm x 5 cm)

4" Metal framed intake filter – Qty 2

16" x 36" x 4" (40.6 cm x 91.5 cm x 10 cm)

Activated Carbon filter – Qty 2

16" x 36" x 1-1/2" (40.6 cm x 91.5 cm x 3.3 cm)

Electrical:

Motor: 1 HP, 110 V, AC, 0-12 amps, 1 Ph.

Direct Drive, variable speed control.

Motor available in 220 V, AC, 50 Hz 1 Ph.

Available in CE.

Power cord: Heavy duty.

Blower: Squirrel cage.

Blower capacity: 2,000 cfm (56 cm).

Unit Body Construction:

Polyethylene (high impact material).

Light gray colour.

Weight: net 101 lbs (45.9kg).

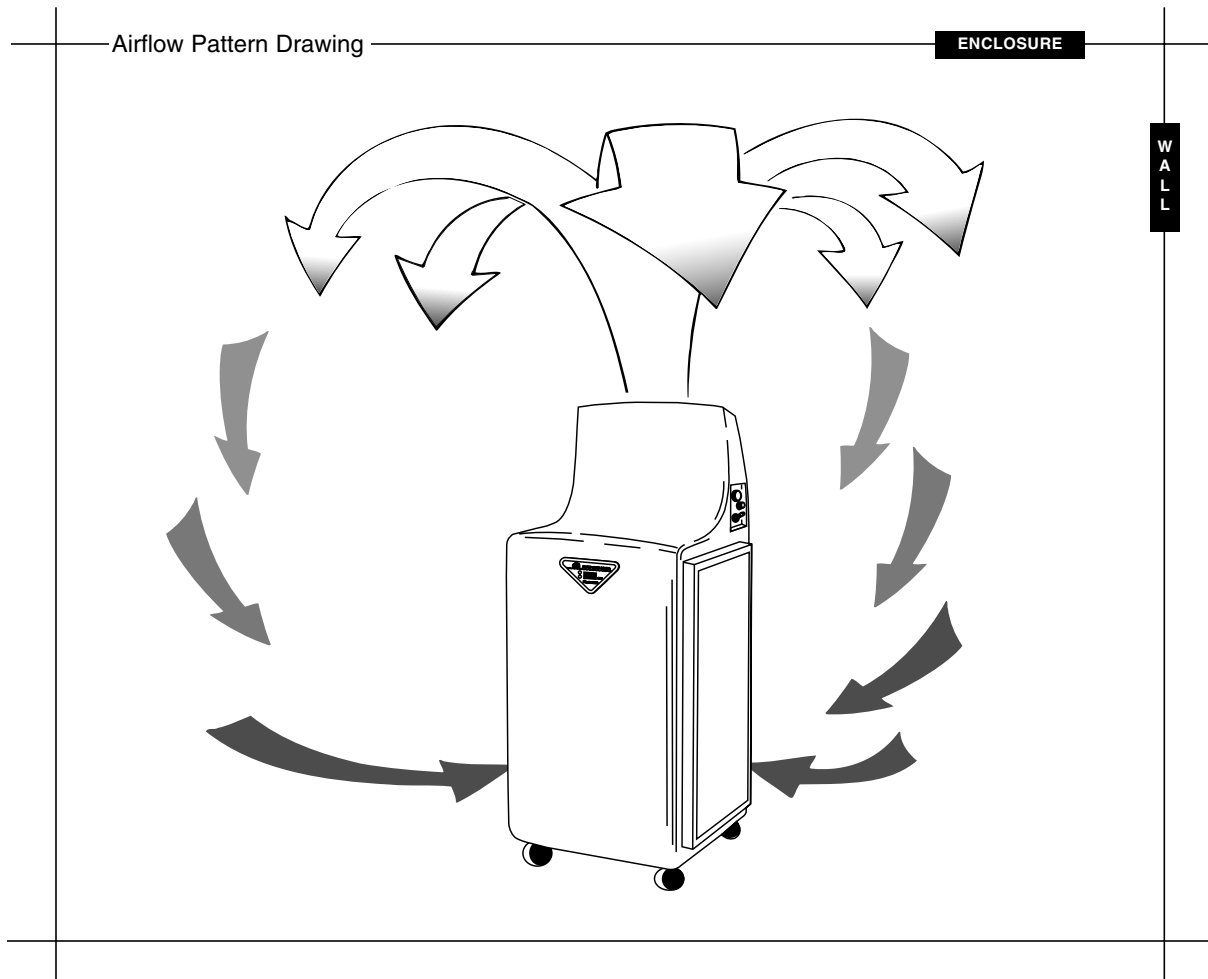
Size: base, 20.5" x 22.5"
(57.22 cm x 52.1 cm).

Height: 4" – 9" (144.8 cm).

Noise level: 0 – 72 dB.

How It Works

For the *Duster 2000 Bodyshop*



100% of the 'clean air' is discharged through the top of the machine. This creates a "negative" pressure area or "capture zone" at ground level. The mushroom airflow pattern created will force airborne particulate (heavier than air) down to ground level.

Ground/floor level pick up is the key. All air within the confined work area up to 2,500 square feet will be drawn into the 2-intake filters at either side of the machine up to

2,000 cubic feet per minute (cfm). This airflow pattern will collect all harmful dust, paint overspray as well as Isocyanates VOC's and odors down to 5 microns.

PERFORMANCE SPECIFICATIONS

Filter Media Coverage:

- Intake area 4.0 sq. ft.
- Discharge area 1.0 sq. ft.

RECOMMENDED AND SUGGESTED SET UP CONFIGURATIONS

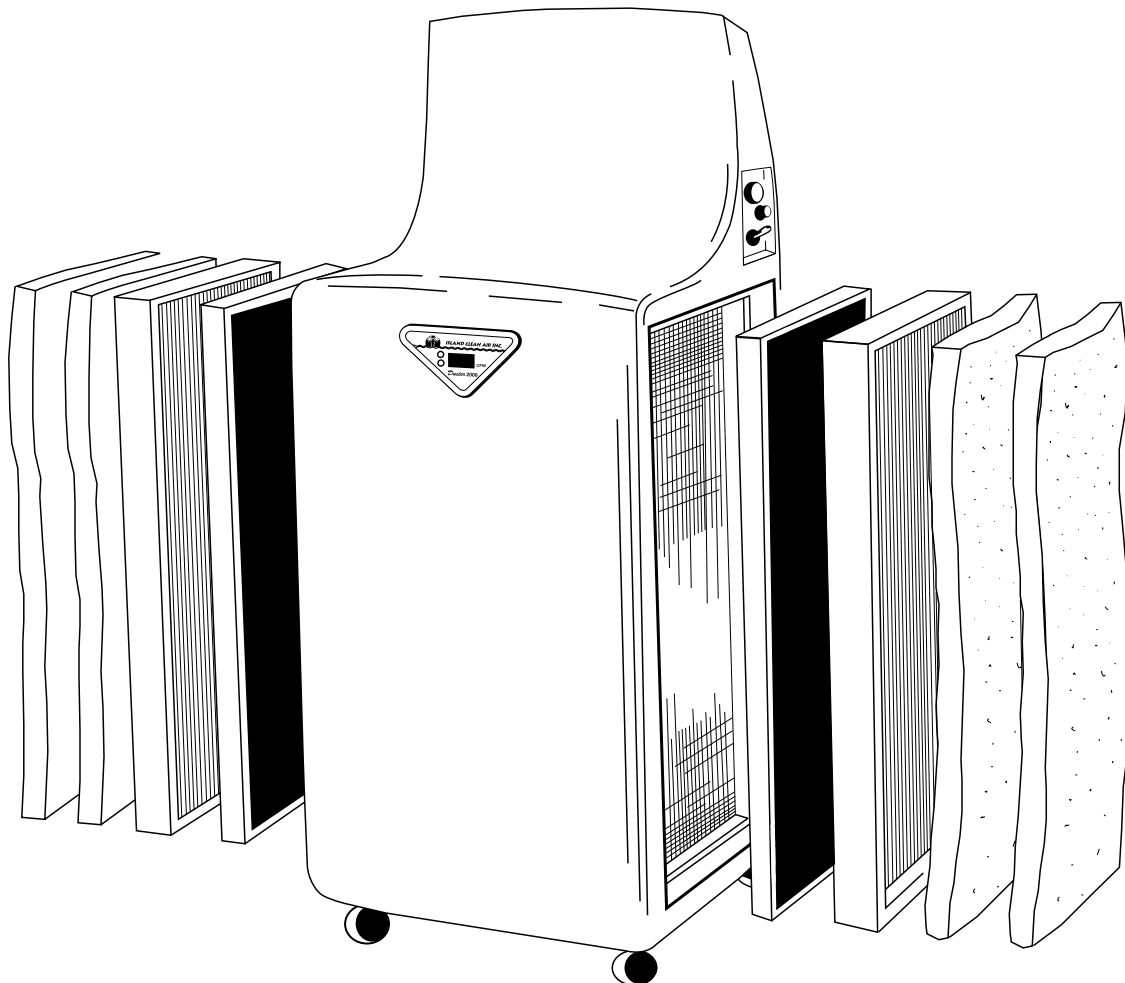
PAINTING

The *Duster 2000 Bodyshop* machine should be placed as close as possible to the work area as to avoid dust and overspray from going to other areas.

Note: experiment on positioning the unit for best results.

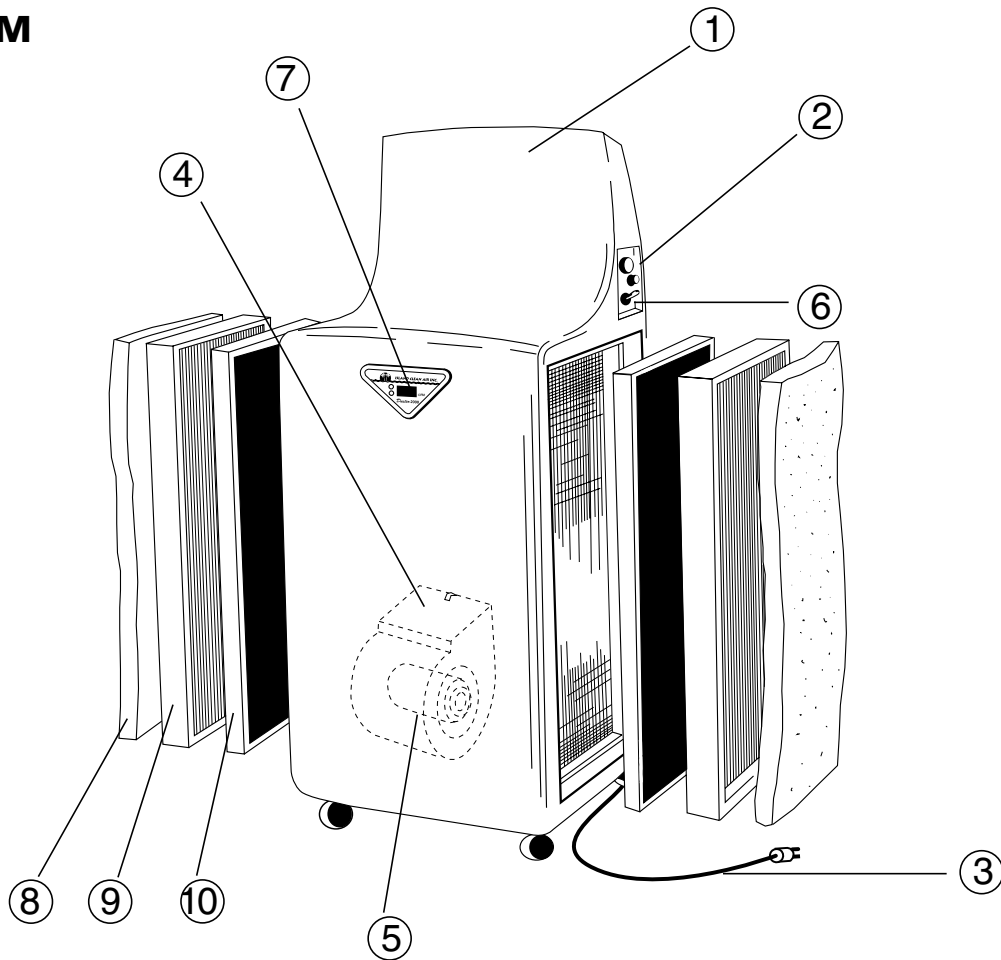
Clearcoat Application:

To avoid “fogging” indoor work area and affecting other areas, it is recommended that you double up on the spray/dust pads provided with you machine.



PARTS AND REFERENCES

DIAGRAM



PARTS LIST

Part No.	Description
1. 00202	Duster 2000 Bodyshop SMART Air Filtration System (complete)
2. —	Housing Assembly – Polyethylene (high impact material) gray
3. —	Power Cord: CSA approved.
4. —	Blower: squirrel cage blower
5. —	Motor: 1Hp direct drive, variable speed control motor, 110 Vac, 0-12 amp
6. —	On/Off Switch
7. —	Digital Air Flow Gauge
8. 11702	2" Intake Filter Pad with Tackifier Cleanable
9. 11206	4" Pleated Intake Filters Cleanable
10. 11210	1-1/2" Activated Carbon Filters 15 lbs. each NOT cleanable

WHEN AND HOW TO CLEAN FILTERS

WHEN TO CLEAN FILTERS

Recommended cleaning every two weeks, this may vary depending on usage. A maintenance schedule clear plastic holder is provided to assist in setting up your cleaning schedule.

The digital airflow monitor gauge should be your first indicator when the reading at full power drops below 900 cfm it is time to clean the intake filters.

HOW TO CLEAN THE INTAKE FILTERS

Cleaning (Green Dust Spray Filter Pads)

1. Turn off machine.
2. Remove pads from intake filter frames and from machine.
3. Vacuum or blow off using compressed air.
4. Reinstall back into intake filters.

Cleaning (Intake pleated filters)

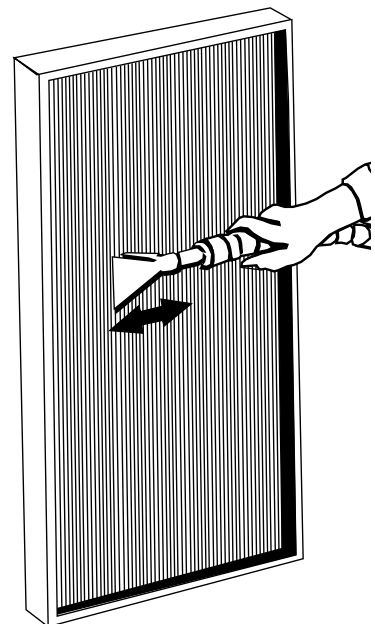
1. Turn off machine.
2. Remove intake filters from machine and dust/spray pads.
3. Vacuum off from front side only of filter (side that faces out from machine).
4. Occasionally, take Pleated Intake filter outside and blow off pleated filters to remove any trapped particulate vacuuming can't remove. These can also be low pressed washed, once during their 6 month life cycle.

Note: if washed allow 24 hours to dry, use spare set.

4. Reinstall back into intake filters.
5. Reinstall dust/spray pads into clean intake filters.
6. Reinstall Intake filters into machine.

Activated Carbon Filters (**DO NOT CLEAN**)

1. Shut off machine.
2. Remove intake filters to remove the Carbon filters up against the housing.
3. Shake vigourisly up and down to realign the multi faceted granular carbon, this will reactivate until new carbon filters by exposing fresh pelletized surfaces.
That's the time to reorder new carbon filters or the carbon refills. Life expectancy 9-12 months.



PERFORMANCE TIPS

Importance of Cleaning Filters:

If you look after the filters the *Duster 2000 Bodyshop* Air Filtration (SMART) machine will continue to provide your mobile detail shop with years of service. Only use OEM specified filters.

Electrical Fluctuations:

Local voltage variations can affect the start up performance of the electrical motor.

Make sure your electrical power panel is not overloaded for proper amperage.

The Digital Flow Monitor readings can also be affected by local voltage variations.

Do not use additional power cord extensions to machine's power cord or amperage may drop off.

Outside Air Flow Interference:

Wind will affect performance of the Duster's Air Flow Pattern. Should this occur, we recommend securing and/or sealing tented area to prevent wind interference inside tented work area.

Inside Air Flow Interference:

Open doors and/or windows can easily affect performance of the Duster's Air Flow Pattern. Should this occur, we recommend closing doors and windows or performing work in an enclosed area.

Tips for Spot Painting:

Place the unit as close to you as possible and the area of the vehicle you're working on for best results.

TROUBLE SHOOTING

Won't Start:

1. Check that the power cord is plugged into 110V, AC outlet and is not damaged.
2. Local voltage variations can affect the start up performance of the electrical motor.
Make sure you portable or fixed electrical power supply is not overloaded for proper amperage.
15 amp breaker required.
3. Do not use additional power cord extensions to machine's power cord or amperage may drop off.

Digital Air Flow Monitor Gauge Problems:

1. The Digital Flow Monitor readings can also be affected by voltage fluctuation.
2. Check with manufacturer or its dealer agent before resetting, as tampering with gauge will void warranty.

Filter Problems:

1. The most common filter problem results from paint overspray plugging the intake filters when painting if the Green Dust/Spray pads are not installed.
2. On heavy paint overspray or clearcoating; double up the Green Dust Spray filter pads provided to collect heavy concentrations of particulate (see page 7, clearcoat application and recommendation).

WARRANTY

Important:

In order to validate your warranty, the Warranty Registration Card provided with machine on delivery must be completed and mailed into Island Clean Air Inc. within 14 days. Non-registered claims may be rejected if warranty card is not completed and returned immediately. Be sure to complete and register your unit today.

5 YEAR Limited Warranty

Every product sold by Island Clean Air Inc. (ICA) is thoroughly inspected and tested before leaving the factory and is warranted to be free of defects in workmanship and materials for a period of five (5) years from date of original purchase. During the warranty period, new parts will be furnished free of charge, to replace any parts which are determined to be defective.

Call customer service 1-800-661-6211 to report any defective parts and obtain a Return Authorization prior to shipping defective part for inspection report and replacement.

This limited warranty does not include filters, cleaning, or any damage caused by accident, neglect or misuse and will cease if the unit is resold, rented, or otherwise disposed of. Only factory original OEM filters are recommended for use with our machines, the use of all other filters not specified by the manufacturer may affect the performance and safety of the machine and will void this warranty.

In no event shall ICA be liable for any indirect, incidental or consequential damages from the sale or use of this product. This disclaimer applies both during and after the term of this warranty. This warranty provides specific legal rights.

All warranty issues are to be reported immediately to Island Clean Air Inc. customer service in Vancouver by calling toll free 1-800-661-6211, local (604) 322-2979 or fax: (604) 322-8674.

Our goal is to provide all customers with the best possible product and service.



ISLAND CLEAN AIR INC.
8793 Cambie Street, Vancouver, B.C. Canada, V6P 3J9
Toll Free (800) 661-6211
Tel: 604.322.2979 Fax: 604.322.8674
Email: info@islandcleanair.com • Website: www.islandcleanair.com

STANDARD FILTERS

Stage 1

11702 – High capacity media to capture visible dust and paint overspray. Used in front of intake filter.

Vacuum Cleanable.

Life expectancy 6 months



Stage 2

11206 – Depth loading media to capture pollutants to 5 microns. Pleated high surface area (60 sq ft), 4" metal frame, (11702 pad in front).

Vacuum cleanable

Pressure washable (under 400 psi)

Life expectancy 6 months

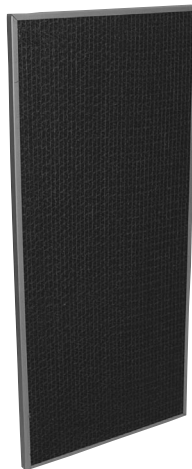


Stage 2B

11210 – Removes Isocyanates, VOCs, toxic fumes and odors. Contains 15lbs (6.8kg) of activated pellets carbon.

Not Cleanable.

Life expectancy 9-12 months



REPLACEMENT FILTER ORDER FORM (Call for current pricing)

Qty	Part Number	Description	Unit Cost ea.	Unit Total
()	11702	Dust/Spray Pads	_____	_____
()	11206	4" Pleated Intake Filters c/w Dust/Spray Pads 2 required per change Every 6 months	_____	_____
()	11210	2" - 7 lb Activated Carbon Filters 2 required per change Every 9 months	_____	_____
			SUB TOTAL	\$ _____
			S & H US @ 20% of order value	\$ _____
			S & H CDN @ 15% of order value	\$ _____
			Taxes	\$ _____
			TOTAL	\$ _____

Note: Shipping & Handling charges are 20% of the filter order with a filter minimum order of \$75. Applicable taxes apply to Canadian customers. All filter orders are shipped prepaid ground, FOB Vancouver, B.C. For pricing call customer service toll free 1-800-661-6211 Vancouver, or consult your local authorized dealer. For a dealer nearest you call toll free 1-800-661-8211.

PLEASE PRINT CLEARLY

Company name: _____

Contact name: _____ Signature required: _____

Title: _____ (Authorized by) _____

Shipping address: _____

City: _____ State/Prov. _____

Country _____ Zip/Postal Code _____

Tel: () _____ Fax: () _____

Unit Serial Number: _____ (Located on the On/Off Switch Plate)

FID # _____ (required for U.S. Customs clearance)

Please check method of payment: Check/Cheque Credit Card



Remit to **Island Clean Air Inc. 8793 Cambie St, Vancouver, B.C. V6P 3J9**

Or fax order form to: **(604) 322-8674** Processing information: Credit Card (select above)

Credit Card No. _____ Expiry Date: _____

Name on Card: _____