

# *Duster* 600 & 2000

## Mobile Air Cleaning System



# OPERATIONS MANUAL

# CONGRATULATIONS!

By choosing a Duster 600 or 2000 you have acquired  
**A LIFETIME OF CLEAN AIR**

The Duster was developed after years of research and development to find solutions to the problems of poor indoor air quality, especially in shop environments. It is constructed of only the highest quality components. The Duster's mobility, ability to circulate all the shop air, and 3 stage filtration process represent a dramatic breakthrough in the application of modern air cleaning technology.

## Table of Contents

	PAGE
Safety Instructions .....	2
Parts & References .....	3
Parts List .....	4
Cleaning the Filters .....	5
Changing the Filters .....	5
Digital Filter Monitor .....	6
Specifications .....	7
Trouble Shooting .....	8
Won't start .....	8
Digital gauge problems .....	8
Filter problems .....	8
Warranty Information .....	9
Notes .....	10

# Safety Instructions

The Duster 600 has been engineered for safety. It is built of fire resistant material. Nevertheless it is important that you:

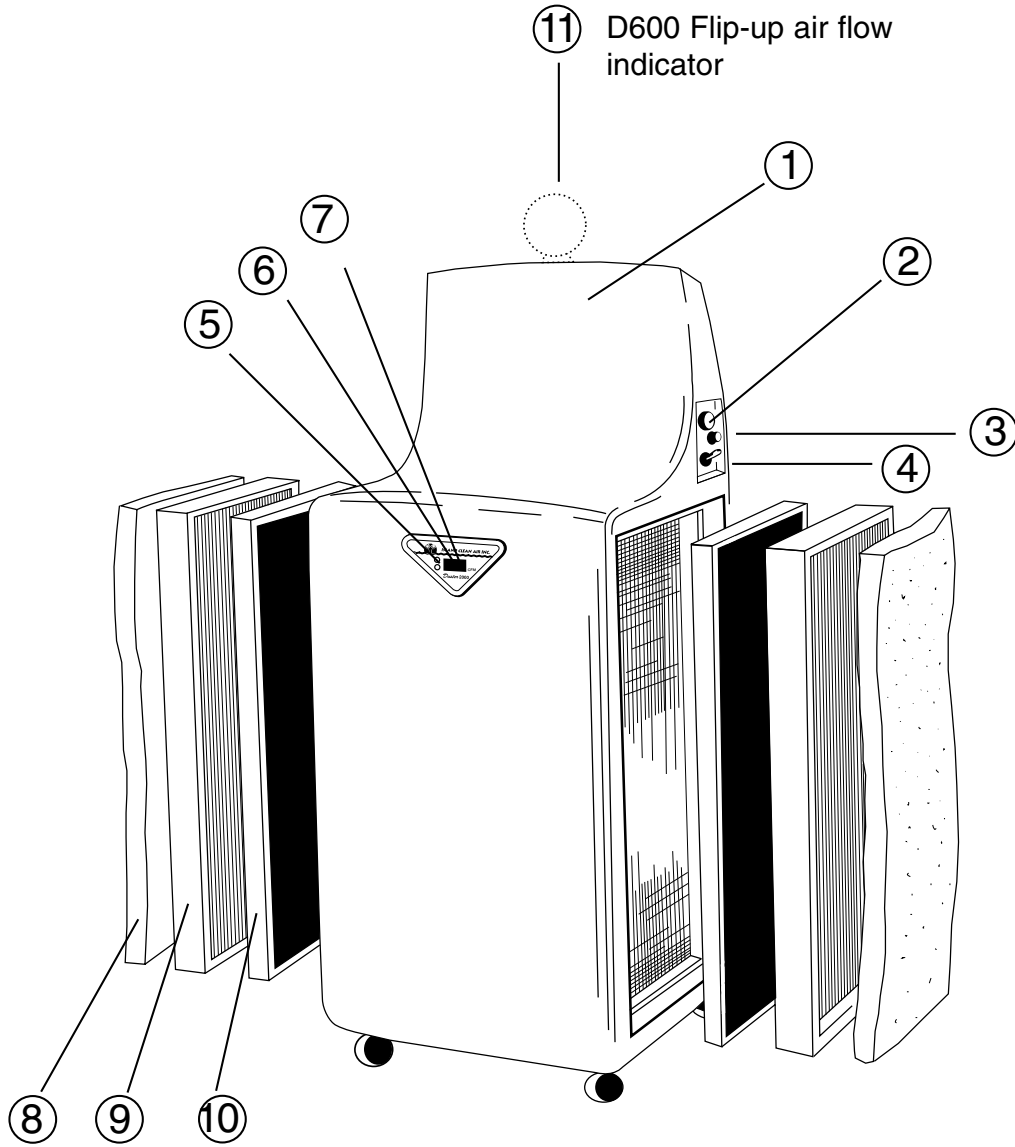
- Keep the machine clean and dry.
- Keep it away from heat and flames.
- Always vacuum off heavy dust build-up around the filters.
- Do not operate without the filters.

**Note:** Using filters other than those made by Island Clean Air will void the warranty.

**Note:**

1. *The Duster 2000 has a red light that comes on when filters are plugged. The Duster 600 has a Flip-up indicator on top that tells you when to clean the filters.*
2. *The operation of this unit does not exclude the proper use of industry approved respirators and Island Clean Air Inc cannot guarantee health benefits.*

# Parts and References



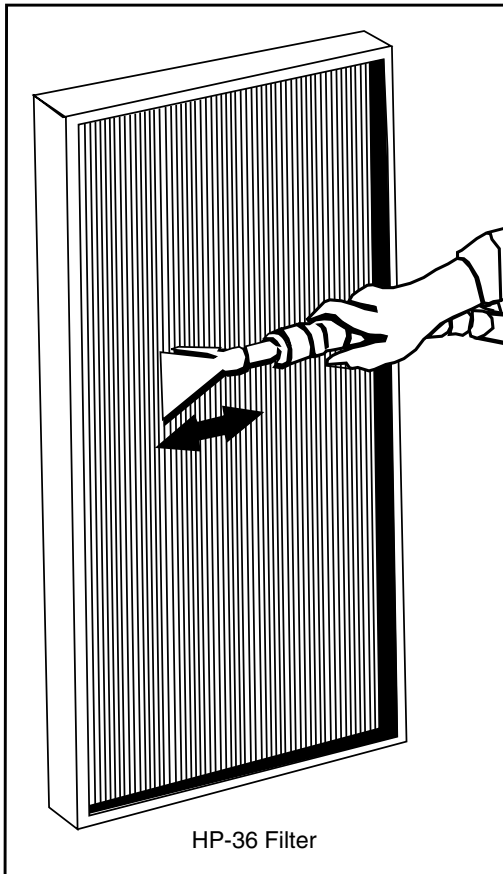
# Parts List

- ① Polyethylene Unit Housing.
- ② Variable Speed Control 700 -2000 cfm (Duster 2000)  
Two Speed 450 and 600 cfm (Duster 600)
- ③ Fuse Holder 125V, 20 Amps Duster 2000, 10 Amps  
Duster 600, Puck & turn to change.  
Caution: Disconnect power cord before checking fuse.
- ④ On / Off Power Switch
- ⑤ Digital Air Flow Reading, tells you when to clean the  
filters, Check on “High” position, Duster 2000 only  
(Flip up Smiley on the Duster 600) see #11
- ⑥ Green “on” indicates good air flow, Duster 2000
- ⑦ Red “on” only indicates poor air flow, Duster 2000
- ⑧ Green (pre-filter) pad. Vacuum clean
- ⑨ White Pleated Filter  
Duster 600 26.2 sq. ft. of media  
Duster 2000 60.0 sq. ft. of media  
Polyester material vacuum clean.  
High pressure washable.
- ⑩ Activated granular Carbon Cell
- ⑪ Duster 600 Flip-up Smiley Face

# Cleaning the Filters

When flip up “Smiley Face” stays down, on Duster 600

When gauge is reading 1500 or less on high position Duster 2000



## Procedure:

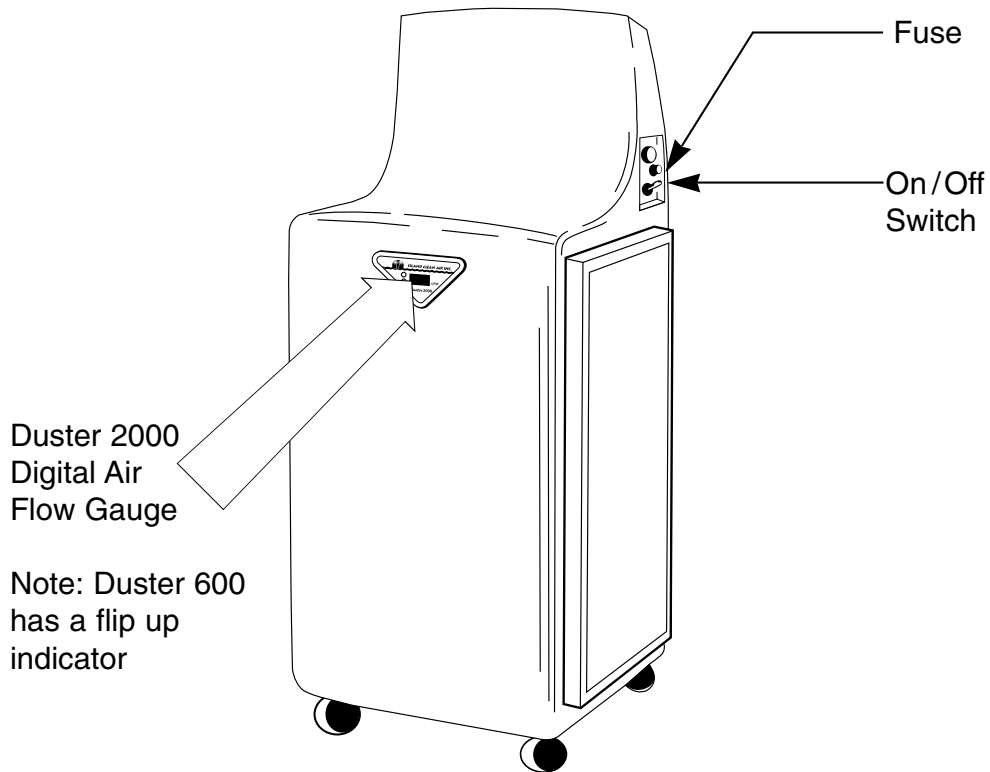
1. Turn off machine.
2. Vacuum the pads first.
3. Remove pads and vacuum pleated filter behind the pads.
4. Reinstall the pad.
5. Reinstall filters.

**Note:** Occasionally, remove the filter and high-pressure wash (10" away) only the pleated filters to remove trapped particulate. Wash both sides of the filter for 1/2 minute each side at least.

**Carbon Filters:** (not cleanable) Check filter seals that the carbon filters are kept clean.

# Digital Filter Monitor (Duster 2000)

Shows you when to clean the filters



The digital read-out on the front of the machine indicates the airflow volume in cubic feet per minute (CFM).

As the filters get loaded with dust the reading goes down if you operate the machine at the same speed. Check filters on high position.

After several months, the reading may be down by 500, even after vacuum cleaning. Then it will be necessary to high pressure wash only the pleated filters, but not the green pads.

On the Duster 600 the Smiley Face Flip-up stays down horizontal when the filters are plugged.

Continued Over →

# Specifications

*All components are factory and field tested.*

## *Duster 600*

**FILTERS:** Made in the USA and Canada.

1. DP16 DUST/SPRAY PAD  
12" x 36" x 2"  
305mm x 915mm x 50mm
2. HP16 INTAKE FILTER  
12" x 36" x 4"  
305mm x 915mm x 102mm
3. CF16 CARBON FILTER  
12" x 36" x 1"  
305mm x 915mm x 25mm

**ELECTRICAL:**

1/6 Hp, 1-3 Amp, 110V motor –  
direct drive  
Two speed  
Available 50Hz, 220V

**BLOWER CAPACITY:**

600 CFM  
16 cubic meters/minute

**UNIT BODY CONSTRUCTION:**

Molded polyethylene  
Impact resistant

**WEIGHT:**

Net 84 pounds 38.2 kg

**WARRANTY:**

5 years parts, filters excluded

**QUIET OPERATION:**

59 db low, 65 db high

## *Duster 2000*

**FILTERS:** Made in the USA and Canada.

1. DS6 DUST/SPRAY PAD  
16" x 36" x 1"  
406mm x 915mm x 25mm
2. HP36 INTAKE FILTER  
16" x 36" x 4"  
406mm x 915mm x 102mm
3. CF36 CARBON FILTER  
16" x 36" x 1"  
406mm x 915mm x 25mm

**ELECTRICAL:**

1 Hp, 1-12 Amp, 110V motor –  
direct drive  
Variable speed control  
Available 50 Hz, 220V

**BLOWER CAPACITY:**

2000 CFM  
56 cubic meters/minute

**UNIT BODY CONSTRUCTION:**

Molded polyethylene  
Impact resistant

**WEIGHT:**

Net 101 pounds 40.7 kg

**WARRANTY:**

5 years parts, filters excluded

**QUIET OPERATION:**

0 – 72 db



# Trouble Shooting

## Won't Start:

1. Is it plugged it correctly. Extension cords should be 14 gauge, grounded.
2. Check wall outlet circuit breaker or fuse. Motor draws 3 amps (Duster 600), 10 amps (Duster 2000). Most breakers are 15 amps. Usually you cannot run other large machinery on the same circuit.

## Filter Cleaning Gauge Problems:

- Please call factory if your gauge stops working for any reason.

## Filter Problems:

- CAUTION: Paint overspray, oil and glue mists, will destroy the HP-16 pleated filters. Always keep the green pads in place in front of them.
- To get the longest filter life out of carbon filters keep them clean. Dust plugs the carbon pores.

# Warranty Information

**Please note:**

In order to validate your warranty, the Warranty Registration Card must be filled and returned to Island Clean Air Inc. Non-registered claims may be rejected.

**Terms:**

All products made by Island Clean Air Inc. are warranted to be free of defects in materials and workmanship for a period of five (5) years from the date of original purchase. Warranty parts will be furnished free of charge, to replace any parts which are determined to be defective.

This limited warranty does not include filters, cleaning or damages caused by accident, neglect or misuse and will cease if the products is re-sold, rented or otherwise disposed of. Only factory original filters are recommended for use with this product. The use of any other filters not specifically sold by, or approved by Island Clean Air Inc. may affect the performance and safety of the product, and will void this warranty.

In no event shall Island Clean Air Inc. be liable for any indirect, incidental or consequential damages from the sale or use of this product. It cannot guarantee health benefits. This applies both during and after the term of this warranty.

This warranty provides specific legal rights.

Please report all claims by calling 1-800-661-6211.

# NOTES



**Tel: 604-322-2979 • Fax 604 322-8674**  
**Toll Free 1-800-661-8211 • 1-800-661-6211**  
[www.islandcleanair.com](http://www.islandcleanair.com)